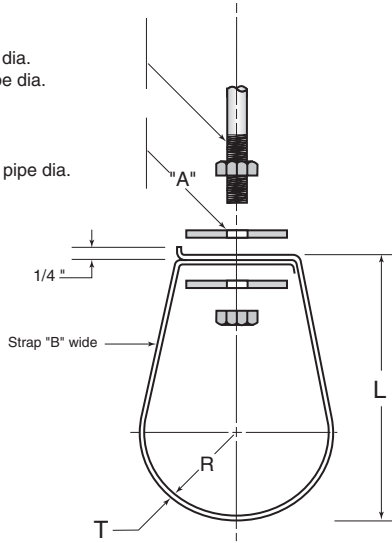


Pipe Hangers - I.D. and I.P.S.

- "F" {
- Dia. of hanger rod**
 - 1/2" (13) for 3" (75) to 12" (300) pipe dia.
 - 5/8" (16) for 14" (350) to 24"(600) pipe dia.
- Hole size**
- 9/16" (14) up to 12" (300) pipe dia.
 - 11/16" (17) for 14" (350) to 24" (600) pipe dia.



Material :
 stainless steel
 304L, 316L.

*Hanger rod, nuts
 and washers not
 included.*

Pipe Hangers - I.D. and I.P.S.

Nominal pipe dia.	A	B	R	L	T	F
3"	3" x 3" x 1/4" pl.	3"	1 9/16	6"	11 ga.	9/16 ∅
4"	3" x 3" x 1/4" pl.	3"	2 1/8	7"	11 ga.	9/16 ∅
6"	3" x 3" x 1/4" pl.	3"	3 1/8	9"	11 ga.	9/16 ∅
8"	3" x 3" x 1/4" pl.	3"	4 1/8	11"	11 ga.	9/16 ∅
10"	3" x 3" x 1/4" pl.	3"	5 3/16	13"	11 ga.	9/16 ∅
12"	3" x 3" x 1/4" pl.	3"	6 3/16	15"	11 ga.	9/16 ∅
14"	3" x 3" x 1/4" pl.	3"	7 3/16	17"	11 ga.	11/16 ∅
16"	3" x 3" x 1/4" pl.	3"	8 3/16	19"	11 ga.	11/16 ∅
18"	3" x 3" x 1/4" pl.	3"	9 3/16	21"	3/16"	11/16 ∅
20"	3" x 3" x 1/4" pl.	3"	10 3/16	23"	3/16"	11/16 ∅
24"	4" x 4" x 1/2" pl.	4"	12 1/4	27"	3/16"	13/16 ∅
30"	4" x 4" x 1/2" pl.	4"	15 1/4	34"	3/16"	13/16 ∅
36"	4" x 4" x 1/2" pl.	4"	18 1/4	40"	1/4"	13/16 ∅

Reference Chart

Nominal Pipe Size			
inches	mm	inches	mm
1 1/2	38.1	12	304.8
2	50.8	14	355.6
2 1/2	63.5	16	406.4
3	76.2	18	457.2
4	101.6	20	508.0
5	127.0	22	558.8
6	152.4	24	609.6
8	203.2	30	762.0
10	254.0	36	914.4

USS gauge	inches	mm
14	.078	1.98
12	.109	2.76
11	.125	3.17
10	.140	3.55
7	3/16".187	4.75
3	1/4".250	6.35

Simple Conversion
<ul style="list-style-type: none"> To convert INCHES into MILLIMETERS, multiply by 25.4
<ul style="list-style-type: none"> To convert MILLIMETERS into INCHES, multiply by 0.03937
<ul style="list-style-type: none"> To convert FEET into METERS, multiply by 0.3048
<ul style="list-style-type: none"> To convert METERS into FEET, multiply by 3.281

Fractions - Decimal and Metric Equivalents

Fractions					Decimal	Metric
				$\frac{1}{64}$	0.015625	0.39388
			$\frac{1}{32}$		0.031250	0.79375
				$\frac{3}{64}$	0.046875	1.19063
		$\frac{1}{16}$			0.062500	1.58750
				$\frac{5}{64}$	0.078125	1.98438
			$\frac{3}{32}$		0.093750	2.38125
				$\frac{7}{64}$	0.109375	2.77813
	$\frac{1}{8}$				0.125000	3.17500
				$\frac{9}{64}$	0.140625	3.57188
			$\frac{5}{32}$		0.156250	3.96875
				$\frac{11}{64}$	0.171875	4.36563
		$\frac{3}{16}$			0.187500	4.76250
				$\frac{13}{64}$	0.203125	5.15938
			$\frac{7}{32}$		0.2187505	5.55625
				$\frac{15}{64}$	0.234375	5.95313
	$\frac{1}{4}$				0.250000	6.35000
				$\frac{17}{64}$	0.265625	6.74688
			$\frac{9}{32}$		0.281250	7.14375
				$\frac{19}{64}$	0.296875	7.54063
		$\frac{5}{16}$			0.312500	7.93750
				$\frac{21}{64}$	0.328125	8.33438
			$\frac{11}{32}$		0.343750	8.73125
				$\frac{23}{64}$	0.359375	9.12813
	$\frac{3}{8}$				0.375000	9.52500
				$\frac{25}{64}$	0.390625	9.92188
			$\frac{13}{32}$		0.406250	10.31875
				$\frac{27}{64}$	0.421875	10.71563
		$\frac{7}{16}$			0.437500	11.11250
				$\frac{29}{64}$	0.453125	11.50938
			$\frac{15}{32}$		0.468750	11.90625
				$\frac{31}{64}$	0.484375	12.30313
$\frac{1}{2}$					0.500000	12.70000

Fractions - Decimal and Metric Equivalents

Fractions					Decimal	Metric
				$\frac{33}{64}$	0.515625	13.09688
			$\frac{17}{32}$		0.531250	13.49375
				$\frac{35}{64}$	0.546780	13.88821
		$\frac{9}{16}$			0.562373	14.28428
				$\frac{37}{64}$	0.578125	14.68438
		$\frac{19}{32}$			0.593750	15.08125
				$\frac{39}{64}$	0.609375	15.47813
	$\frac{5}{8}$				0.624683	15.86696
				$\frac{41}{64}$	0.640625	16.27188
			$\frac{21}{32}$		0.656137	16.66589
				$\frac{43}{64}$	0.671875	17.06563
		$\frac{11}{16}$			0.687366	17.45910
				$\frac{45}{64}$	0.702981	17.85571
			$\frac{23}{32}$		0.718595	18.25232
				$\frac{47}{64}$	0.734375	18.65313
	$\frac{3}{4}$				0.749824	19.04553
				$\frac{49}{64}$	0.765625	19.44688
			$\frac{25}{32}$		0.781239	19.84348
				$\frac{51}{64}$	0.796893	20.24109
		$\frac{13}{16}$			0.812547	20.63870
				$\frac{53}{64}$	0.828201	21.03631
			$\frac{27}{32}$		0.843855	21.43391
				$\frac{55}{64}$	0.859375	21.82813
	$\frac{7}{8}$				0.875000	22.22500
				$\frac{57}{64}$	0.890625	22.62188
			$\frac{29}{32}$		0.906250	23.01875
				$\frac{59}{64}$	0.921875	23.41563
		$\frac{15}{16}$			0.937419	23.81044
				$\frac{61}{64}$	0.953125	24.20938
			$\frac{31}{32}$		0.968571	24.60171
				$\frac{63}{64}$	0.984375	25.00313
1					1.000000	25.40000